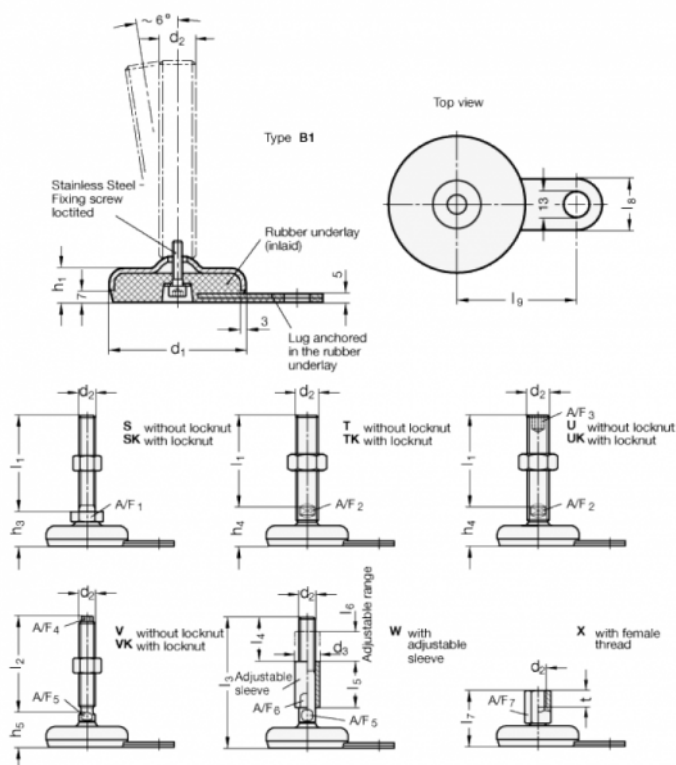


Article number: 203380M20200B1V

Description: E+G levelling foot
GN 33-80-M20-200-B1-V, Stainless steel

Note: V Without nut, External hexagon at the top, Wrench flat at the bottom

Measures



A/F4 = 13

I9 = 70

A/F5 = 16

d1 = 80

d2 = M20

h1 = 20

h4 = 32

l2 = 200

l8 = 30